

VD12/VD14 - 2 or 4 Channel Vacuum Controller

Absolute Pressure 1400 to 5×10^{-10} mbar



Features of Controllers

VD12

- Simultaneous control of 2 measuring channels
- Can be combined with all Smartline and 0-10 V Analogline transducers
- 2 programmable potential-free relay switches

VD14:

- Simultaneous control of 4 measuring channels
- Can be combined with all Smartline transducers
- 4 programmable potential-free relay switches

- Large graphic LCD display with background illumination
- Comfortable operation by menu-driven operator guidance
- USB and RS232 interface for process documentation and setpoint programming
- Globally usable thanks to universal switch mode power supply 95 - 265 VAC
- Two- or three-step control
- EMI compatible, robust metal cassette with foil-protected front panel
- Pressure display in mbar, mTorr, Torr, hPa, Pa, bar
- Easy monitoring of relays
- Simple setting of the most important transducer parameters
- Communication with Smartline transducers possible, controller works as RS485-232 converter
- Automatic identification of connected transducers
- VacuGraph™ software: Documentation and evaluation of vacuum processes, pro

VD12/VD14 - 2 or 4 Channel Vacuum Controller

Absolute Pressure 1400 to 5×10^{-10} mbar



Technical Data

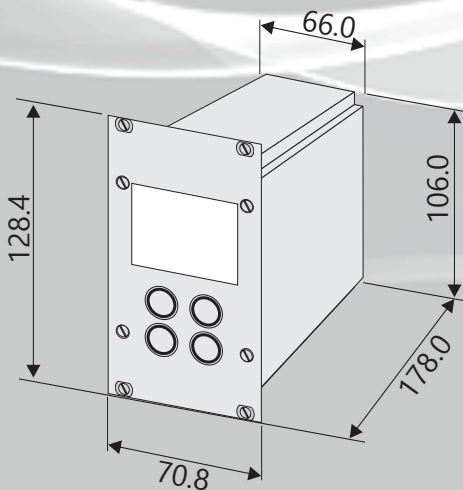
Suitable Vacuum Transducers	VD12: All Smartline transducers, (VCP, VSP, VSR, VSI, VSM, VSH) Analogline transducers: VSC43MV, VSP63MV, VSP64MV, VCP63MV VD14: All Smartline transducers
Display	LCD graphic display, background illumination, 51x31 mm, resolution 128x64
Display Refresh Rate	2 Hz (0.5 s)
Scanning Rate	VD12S2: RS485: 12,5 Hz (80 ms) 0-10V: 50 Hz (20 ms) VD14S4: RS485: 6,25 Hz (160 ms)
Power Supply	95 - 265 VAC, 50/60 Hz
Power Consumption	VD12S2: max. 25 W including transducers VD14S4: max. 45 W including transducers
Operating Temperature	+5...+50°C
Storage Temperature	-20...+60°C
Measuring Inputs	1 x RS485, SubD, 15pin, male, for Smartline VD12 only: 2 x 0 - 10V Amphenol C91E, 6pin, female, for Analogline
Switching Output	2 x relay, change-over type, SP assignable (VD14S4: 2x2) Phoenix strip terminal 6-pin (VD14S4: 2x) lifetime > 300,000 cycles, 4 A / 250 VAC, 2 A / 45 VDC
Serial Interface	Mini-USB socket, Type B, 5pin (Virtual Com Port) RS232: 3.5 mm jack, 3-pole
Protection Class	IP20
Weight	750 g

VD12/VD14 - 2 or 4 Channel Vacuum Controller

Absolute Pressure 1400 to 5×10^{-10} mbar



Dimensions in mm



Model designations

- VD12S2 19inch cassette 14 HP x 3 RU, 95 - 265 VAC, 2 channels
- VD14S4 19inch cassette 14 HP x 3 RU, 95 - 265 VAC, 4 channels

Sets

- VD122P (1400 - 1 mbar) VD12, VSC43MV, cable 2 m
- VD124P (1000 - $1e-4$ mbar) VD12, VSP63MV, cable 2 m
- VD1253P (1200 - $1e-4$ mbar) VD12, VSR53D, cable 2 m
- VD1263P (1000 - $1e-4$ mbar) VD12, VSP63D, cable 2 m
- VD1277P (1000 - $5e-9$ mbar) VD12, VSM77D, cable 2 m
- VD1288P (1000 - $5e-10$ mbar) VD12, VSH88D, cable 2 m

Accessories

- VGR VacuGraph™ software
- WUSB0002 interface cable USB, shielded, 2 m
- WRSJ0002 RS232 cable (jack 3,5mm / RS232 SubD) for PC connection, 2m

Further accessories as well as detailed information about our product family can be found in our Analogline and Smartline brochure.