

# VSC - Analogline Vacuum Transducer Piezo

## Absolute Pressure 1400 to 1 mbar

---



### VSC at a glance

- Chemical resistant ceramic sensor with FKM sealing
- High reliability and long term stability
- Measurements independent of gas type
- Short response time of up to 20 ms
- Resistant to dirt
- Vacuum connection over a stainless steel small flange DN 16 ISO-KF with G1/4 female thread
- Standardized, linear output signal 0-10 V (four wire) or 4-20 mA (two wire)
- Robust metal housing with protection class IP54 (VxMA4)
- Suitable for Thyracont 1 and 2 channel controller VD6 / VD12
- Precise, digital adjustment to zero pressure and atmosphere at the push of a button
- Stable, reproducible measurement values due to optimized temperature compensation

# VSC - Analogline Vacuum Transducer Piezo

## Absolute Pressure 1400 to 1 mbar



### Technical Data

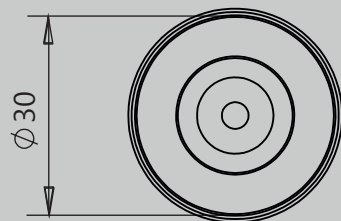
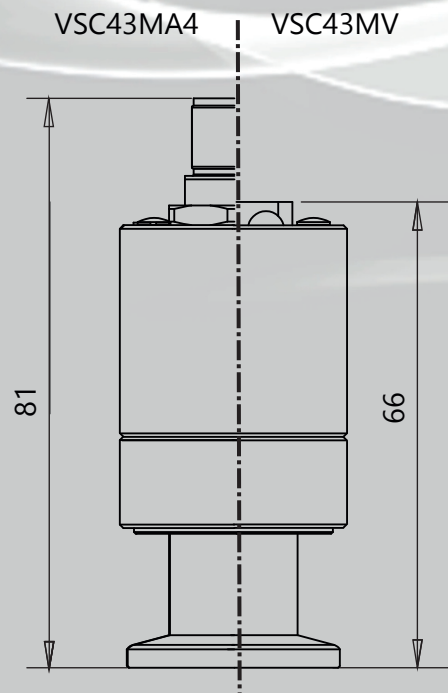
Measuring Principle	Piezoresistive, independent of gas type
Measurement Range	1400 - 1 mbar (1050 - 1 Torr)
Max. Overload	4 bar absolute
Materials with Vac. Contact	Stainless steel 1.4305, Al <sub>2</sub> O <sub>3</sub> ceramic, FKM
Accuracy	± 0.3 % full scale
Measuring Interval	10 ms
Response Time	< 20 ms
Power Supply	9 - 30 VDC (VSC43MA4), 15 - 30 VDC (VSC43MV)
Electrical Connection	M12 A, 5pole, male, lockable (VSC43MA4), type Hirschmann, 6pole, male, lockable (VSC43MV)
Operating Temperature	+5...+60°C
Storage Temperature	-40...+70°C
Output Signal	VSC43MA4: 4 - 20 mA, linear, max. load resistor in Ω: $RL = (\text{supply voltage (V)} - 9V) / 0,02 \text{ A}$ VSC43MV: 0 - 10 VDC, load > 10 Ω range 1.0 to 8.0 VDC, linear (5 mV/mbar)
Vacuum Connection	Stainless steel small flange DN 16 ISO-KF with G1/4 female thread
Protection Class	IP54 (VSC43MA4), IP40 (VSC43MV)
Weight	125 g (VSC43MA4), 120g (VSC43MV)

# VSC - Analogline Vacuum Transducer Piezo

Absolute Pressure 1400 to 1 mbar



## Dimensions in mm



## Model designations

- VSC43MA4 output 4 - 20 mA, DN 16 ISO-KF flange, G1/4 female thread
- VSC43MV output 1.0 - 8.0 VDC, DN 16 ISO-KF flange; G1/4 female thread
- VD62P230 Set (230 VAC) mit 1-Kanal-Controller VD6S2230 + VSC43MA4 + Measuring cable 2 m
- VD122P Set mit 2-Kanal-Controller VD12 + VSP43MV + measuring cable 2 m

## Accessories

- VD81SW1 Hose nozzle brass, nickel plated
- XB0500004 Mating plug, 5pole for VSC43MA4
- XB0600002 Mating plug, 6pole for VSC43MV
- W0509002 Measuring cable for VSC43MA4 with VD6, shielded, 2 m
- W0509006 Measuring cable for VSC43MA4 with VD6, shielded, 6 m
- W0606002 Measuring cable for VSC43MV with VD12, shielded, 2 m
- W0606006 Measuring cable for VSC43MV with VD12, shielded, 6 m

Further accessories as well as detailed information about our product family can be found in our Analogline brochure.