

VSP - Passive Vacuum Sensor Pirani

Absolute Pressure 1000...100 to 1×10^{-3} mbar



Passive VSP at a glance

- Cost-efficient Pirani sensor with durable, elastic helix filament
- Filament protected from condensing solvents by a metal screen
- Compact dimensions
- Very small sensor volume
- Integrated temperature sensor
- Optionally with cap to protect the sensor against dust and humidity
- Suitable for UHV due to metal-sealed stainless steel sensor (He leakage rate $<5e-10$ mbar l / s)
- Sensor pre-adjusted
- Vacuum connection by stainless steel small flange DN 16 ISO-KF (VSP841) or 1/8" NPT male thread (VSP842)
- External sensor for compact vacuum meter VD84
- Proposal for evaluation circuit available on request

VSP - Passiver Vakuumsensor Pirani

Absolutdruck 1000...100 bis 1×10^{-3} mbar



Technical Data

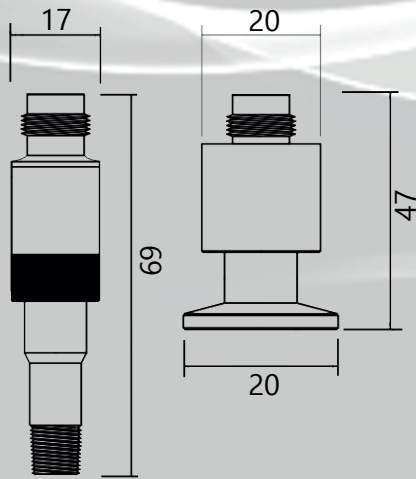
Measurement Principle	Pirani, depending on gas type
Measurement Range	1000...100 - $1e-3$ (750... 75 - $1e-3$ Torr)
Max. Overload	4 bar absolute
Accuracy	Dependent on the evaluation circuit, e.g. 10 - $1e-2$ mbar: approx. 15 % from reading
Response Time	Approx. 200 ms
Power Supply	Supply of bridge circuit according to circuit proposal
Electrical Connection	4pole circular plug binder 713, screwable
Power Consumption	Approx. 30mA
Operating Temperature	+10...+40°C
Storage Temperature	-20...+80°C
Max. Bake Out Temperature	80°C at the Flange
Output Signal	Change of bridge voltage depending on vacuum
Vacuum Connection	VSP841: DN16 ISO-KF, stainless steel, Ni VSP842: 1/8"-NPT-male thread, stainless steel, Ni
Protection Class	IP65
Weight	Ca. 60 g

VSP - Passiver Vakuumsensor Pirani

Absolutdruck 1000...100 bis 1×10^{-3} mbar



Dimensions in mm



Model designations

- VSP841 DN 16 ISO-KF connection
- VSP842 1/8"-NPT thread
- VD84/1 Compact vacuum meter with probe type VSP841
DN 16 ISO-KF flange
- VD84/2 Compact vacuum meter with probe type VSP842
1/8" NPT male thread

Accessories

- XB0400005
Mating plug for VSP841 / 842
- VSPKAPPE
Protective cap for plug

Further accessories as well as detailed information about our product family can be found in our Analogline brochure.